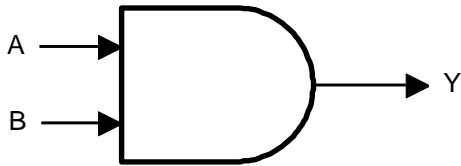


## LOGIC GATES EXERCISES

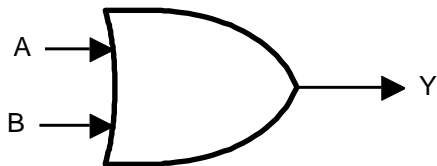
Build truth tables for following logic gates:

Question #1



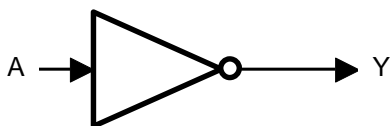
A	B	Y

Question #2



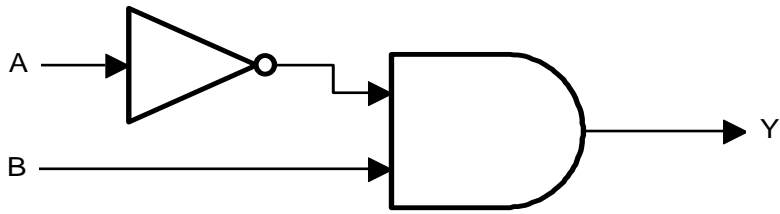
A	B	Y

Question #3

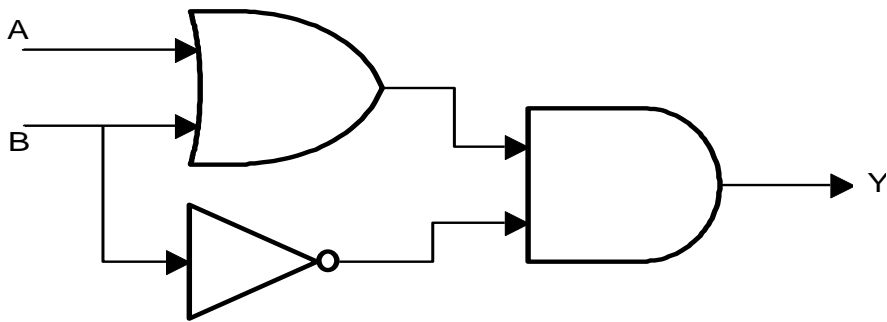


A	Y

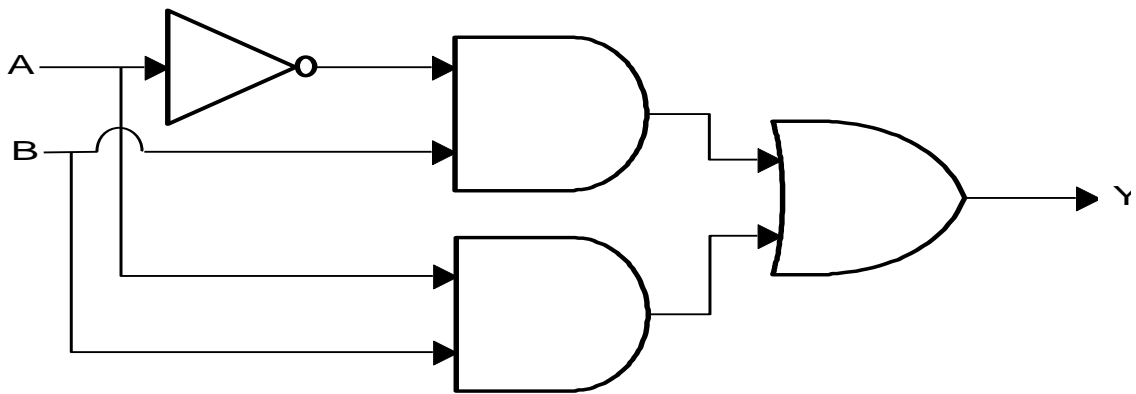
Question #4



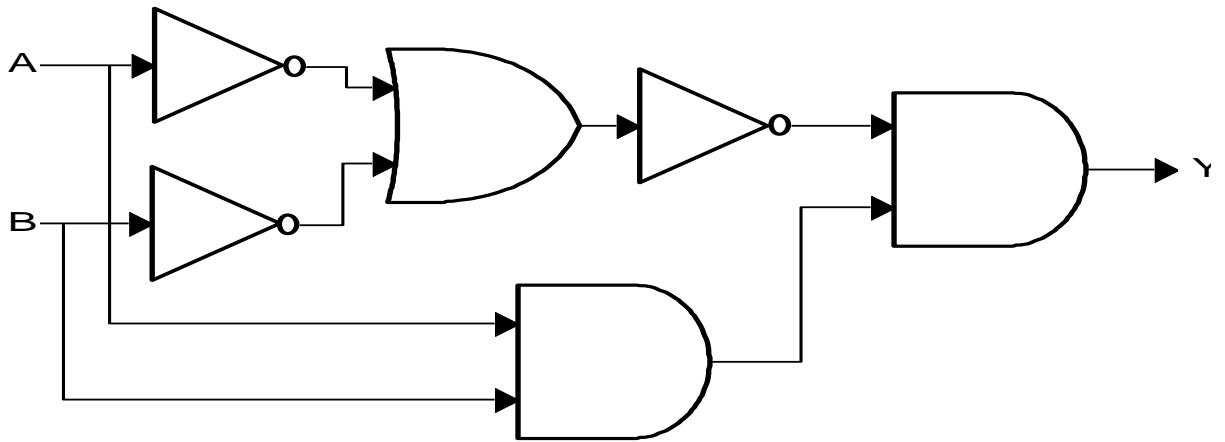

Question #5



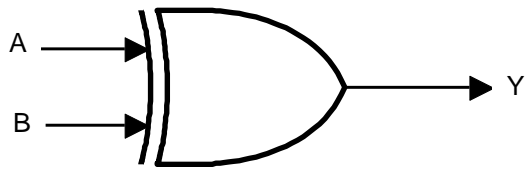

Question #6



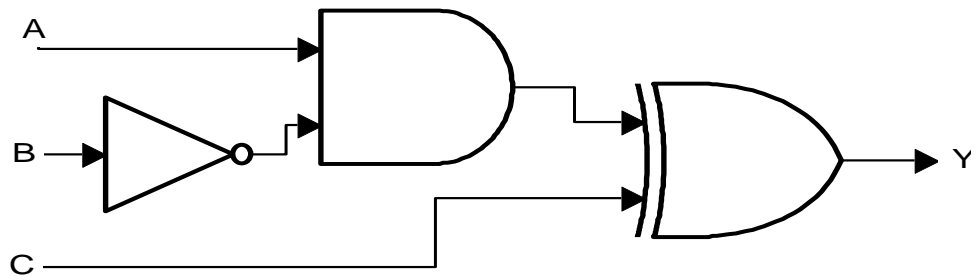

Question #7



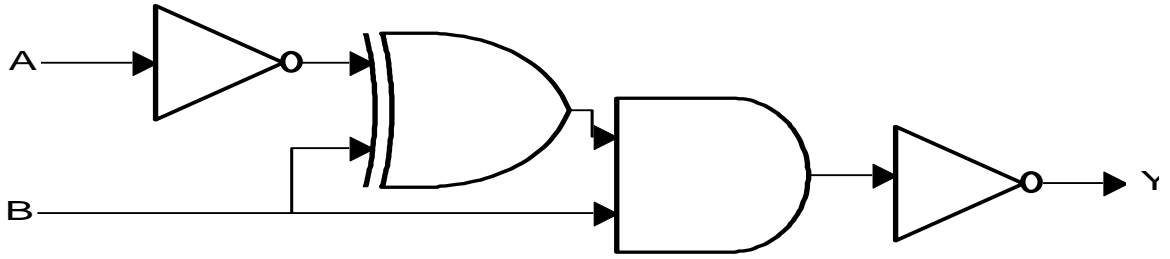

Question #8



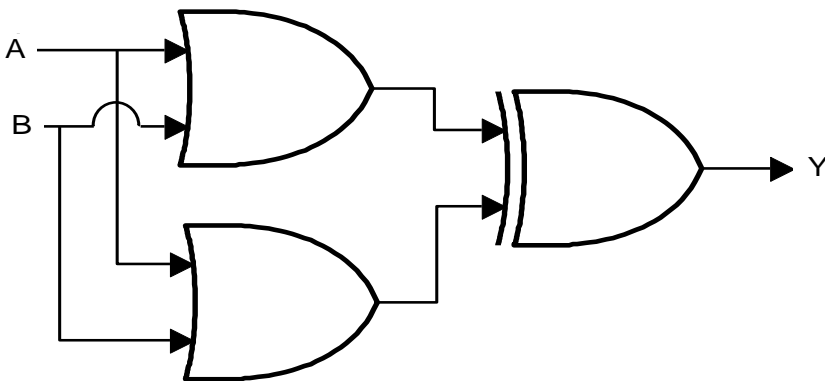

Question #9



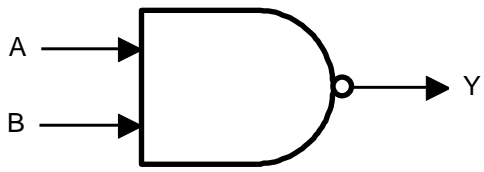

Question #10




Question #11




Question #12




Question #13

