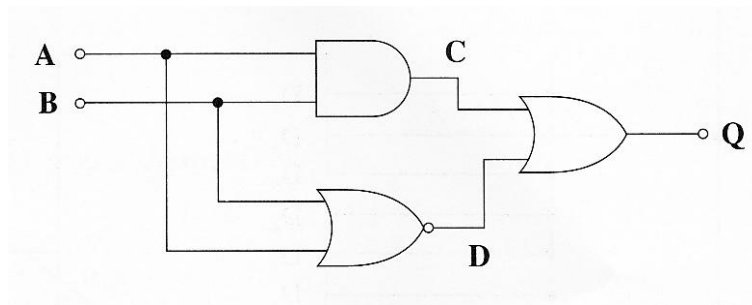


A logic system is shown below.



- (a) Complete the truth table for this system.

A	B	C	D	Q
0	0			
0	1			
1	0			
1	1			

- (b) In the space below, draw the same logic system, but with the logic gates replaced by their NAND gate equivalents.