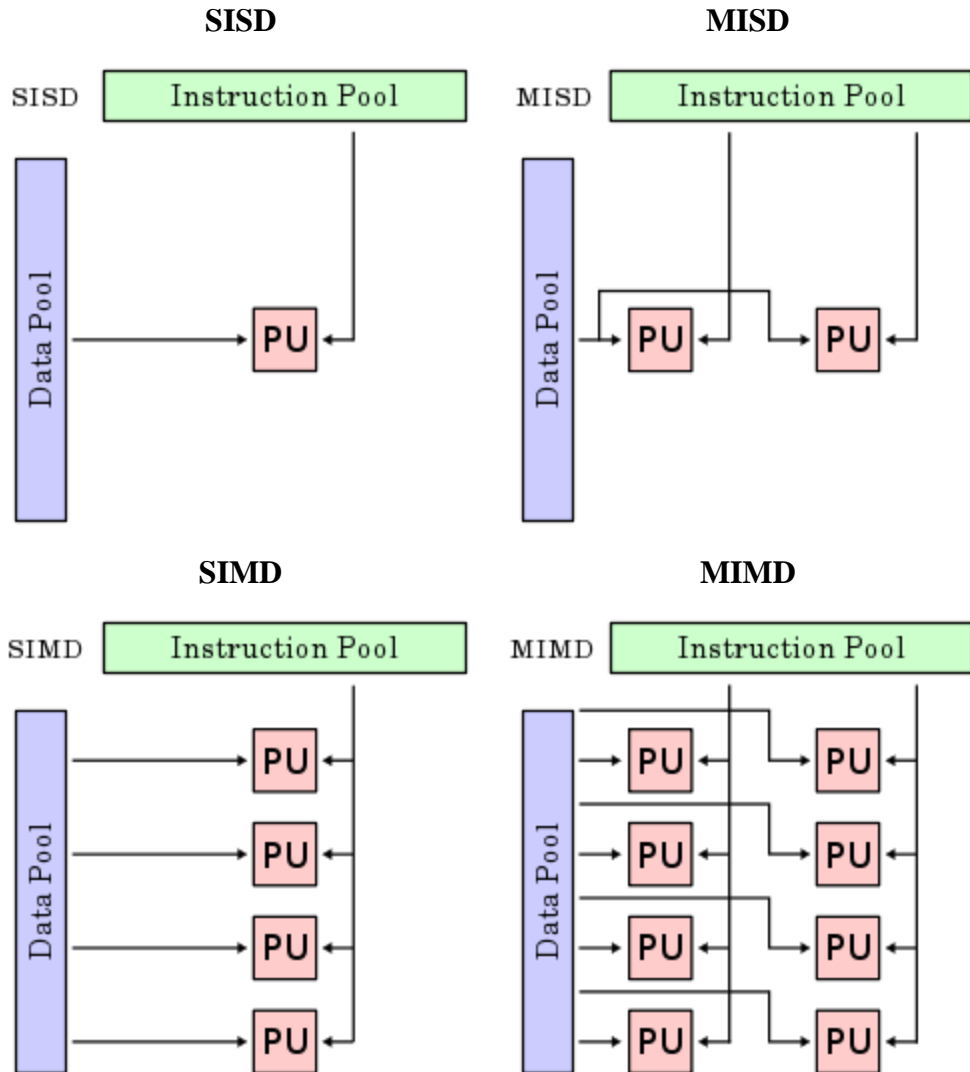


Flynn's taxonomy

Flynn's taxonomy is a classification of computer architectures.

Visually, these four architectures are shown below where each "PU" is a processing unit (of a uni-core or multi-core [CPU](#)):



Further divisions

As of 2006, all the top 10 and most of the [TOP500 supercomputers](#) are based on a MIMD architecture.